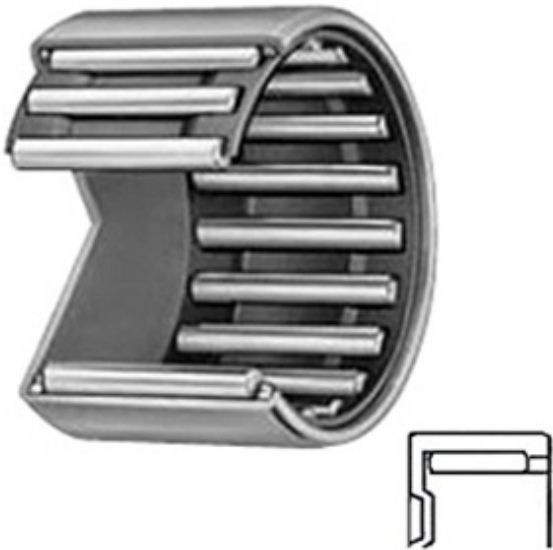




# NTN BEARING USA CORP.



TLAM1622 Bearing 2D drawings and 3D CAD models

0.63 Inch | 16 Millimeter x 0.866 Inch | 22  
 Millimeter x 0.866 Inch | 22 Millimeter IKO  
 TLAM1622 Needle Non Thrust Roller Bearings

Bearing No. TLAM1622

Category	Needle Non Thrust Roller Bearings
Inventory	0.0
Manufacturer Name	IKO
Minimum Buy Quantity	N/A
Weight	0.021
EAN	4549557057823
Product Group	B04144
Rolling Element	Needle Roller Bearing
Component	Roller Assembly with Outer Ring - No Inner Ring
Enclosure	Open
Self Aligning	No
Retainer	Yes
Number of Rows of Rollers	Single Row
Separable	No
Closed End	Yes
Inch - Metric	Metric
Relubricatable	No
Thrust Bearing	No
Long Description	16MM Bore; 22MM Outside Diameter; 22MM Width; Needle Roller Bearing; Roller Assembly with Outer Ring - No Inner Ring; Open Enclosure; No Self Aligning; Retainer;



## NTN BEARING USA CORP.

	Single Row of Rollers; No Separable; C
Other Features	1 Rib Outer Ring   Drawn Cup Bearing
Category	Needle Non Thrust Roller Bearing
UNSPSC	31171512
Harmonized Tariff Code	8482.40.00.00
Noun	Bearing
Keyword String	Needle
Manufacturer URL	<a href="http://www.ikont.com">http://www.ikont.com</a>
Manufacturer Item Number	TLAM1622
Weight / LBS	0.047
B	0.866 Inch   22 Millimeter
D	0.866 Inch   22 Millimeter
d	0.63 Inch   16 Millimeter