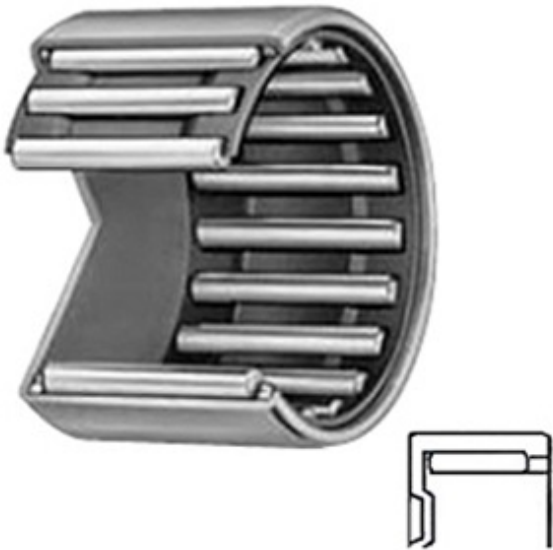




NTN BEARING USA CORP.



0.984 Inch | 25 Millimeter x 1.26 Inch | 32
 Millimeter x 1.024 Inch | 26 Millimeter IKO
 TLAM2526 Needle Non Thrust Roller Bearings

Bearing No. TLAM2526

Category	Needle Non Thrust Roller Bearings
Inventory	0.0
Manufacturer Name	IKO
Minimum Buy Quantity	N/A
Weight	0.045
Product Group	B04144
Rolling Element	Needle Roller Bearing
Component	Roller Assembly with Outer Ring - No Inner Ring
Enclosure	Open
Self Aligning	No
Retainer	Yes
Number of Rows of Rollers	Single Row
Separable	No
Closed End	Yes
Inch - Metric	Metric
Relubricatable	No
Thrust Bearing	No
Long Description	25MM Bore; 32MM Outside Diameter; 26MM Width; Needle Roller Bearing; Roller Assembly with Outer Ring - No Inner Ring; Open Enclosure; No Self Aligning; Retainer; Single Row of Rollers; No Separable; C

TLAM2526 Bearing 2D drawings and 3D CAD models



NTN BEARING USA CORP.

Other Features	1 Rib Outer Ring Drawn Cup Bearing
Category	Needle Non Thrust Roller Bearing
UNSPSC	31171512
Harmonized Tariff Code	8482.40.00.00
Noun	Bearing
Keyword String	Needle
Manufacturer URL	http://www.ikont.com
Manufacturer Item Number	TLAM2526
Weight / LBS	0.1
B	1.024 Inch 26 Millimeter
d	0.984 Inch 25 Millimeter
D	1.26 Inch 32 Millimeter