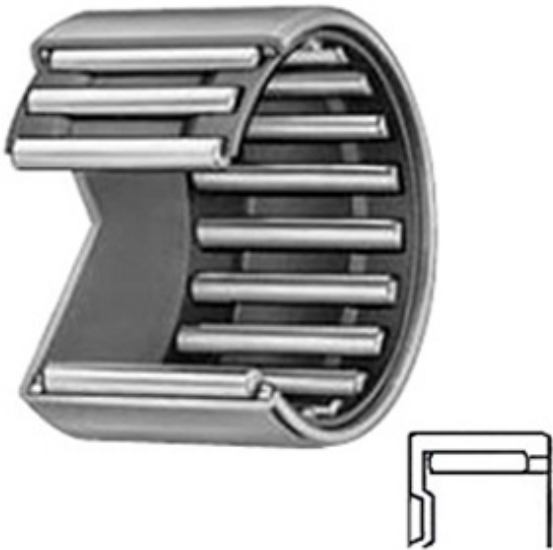




NTN BEARING USA CORP.



TLAM3012 Bearing 2D drawings and 3D CAD models

1.181 Inch | 30 Millimeter x 1.457 Inch | 37 Millimeter x 0.472 Inch | 12 Millimeter IKO TLAM3012 Needle Non Thrust Roller Bearings

Bearing No. TLAM3012

Category	Needle Non Thrust Roller Bearings
Inventory	0.0
Manufacturer Name	IKO
Minimum Buy Quantity	N/A
Weight	0.029
EAN	4549557057977
Product Group	B04144
Rolling Element	Needle Roller Bearing
Component	Roller Assembly with Outer Ring - No Inner Ring
Enclosure	Open
Self Aligning	No
Retainer	Yes
Number of Rows of Rollers	Single Row
Separable	No
Closed End	Yes
Inch - Metric	Metric
Relubricatable	No
Thrust Bearing	No
Long Description	30MM Bore; 37MM Outside Diameter; 12MM Width; Needle Roller Bearing; Roller Assembly with Outer Ring - No Inner Ring; Open Enclosure; No Self Aligning; Retainer;



NTN BEARING USA CORP.

	Single Row of Rollers; No Separable; C
Other Features	1 Rib Outer Ring Drawn Cup Bearing
Category	Needle Non Thrust Roller Bearing
UNSPSC	31171512
Harmonized Tariff Code	8482.40.00.00
Noun	Bearing
Keyword String	Needle
Manufacturer URL	http://www.ikont.com
Manufacturer Item Number	TLAM3012
Weight / LBS	0.064
D	1.457 Inch 37 Millimeter
B	0.472 Inch 12 Millimeter
d	1.181 Inch 30 Millimeter